

CEILING SYSTEMS  
CORRIDOR SOLUTIONS

# 440 series

## SELF SUPPORTED SLIDE

A hinge down type self-supported ceiling for corridor solutions. Modular panel system with easy accessibility to ceiling void without any intermediate support. Panels can slide to any convenient position. Offered in a wide range of sizes, colors & finishes.

### FEATURES

#### MATERIAL

Aluminum Alloy as per EN AW 3000 or 5000 series.

Zinc Plated Galvanized Steel G90 grade.

#### THICKNESS

Aluminum or Galvanized Steel:  
0.5mm to 0.8mm.

+ Custom thickness are available upon request

#### SURFACE FINISH

Plain  
Perforated  
Decorative Patterns

#### SIZE (mm)

##### WIDTH

300 to 700

##### LENGTH

900 to 3000

##### EDGE

Square

+ Custom sizes are available upon request

#### COATING

Polyester Coating: ((5 $\mu$  (Back) + 20 $\mu$  (Face))

Polyester Powder Coating: (70 $\mu$  -80 $\mu$ )

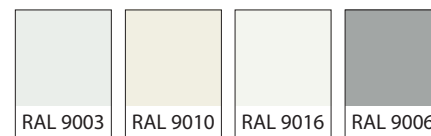
+ High Performance Coatings like PESDF, PVDF and POLYAMIDE are available upon request.

#### INSULATION

**Acoustic Black Fleece** is non-flammable and meets the standard DIN 4102 / B1. Classification A1 according to EN 13501-1.

**Rockwool** slabs conforming to ASTM C612 and equivalent BS 3958-5 are provided for acoustic insulation.

#### COLORS



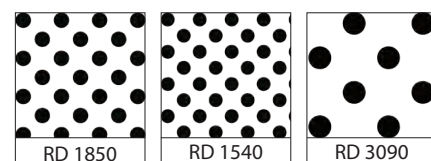
#### SPECIAL FINISHES



+ See [www.rammatal.com](http://www.rammatal.com) for additional colors & special finishes available

+ Special finishes can be provided in lamination, sublimation or coil coating process.

#### PERFORATION PATTERNS



+ See [www.rammatal.com](http://www.rammatal.com) for all available pattern options

## DATA / PERFORMANCE



### ACOUSTICS

Tested as per BS EN ISO 354: 2003 for sound absorption, noise reduction and sound attenuation.

NRC achieved with Acoustic Black fleece – NRC 0.75

NRC achieved with Acoustic Black Fleece and Rockwool Insulation – NRC 1.00

Tested as per ASTM E1414-11a for Airborne Sound Attenuation as per ISO 10848-2.

CAC can achieved up to – 48 dB

Perforated & Sound Attenuation cover



### ANTI BACTERIAL COATING

Tested as per JIS Z 2801: 2000, which inhibits the growth of bacteria on the applied surface.



### LIGHT REFLECTANCE (LR)

Achieved by the metal ceiling is LR – 0.85-0.96 tested as per ASTM E 1477.



### FIRE PERFORMANCE

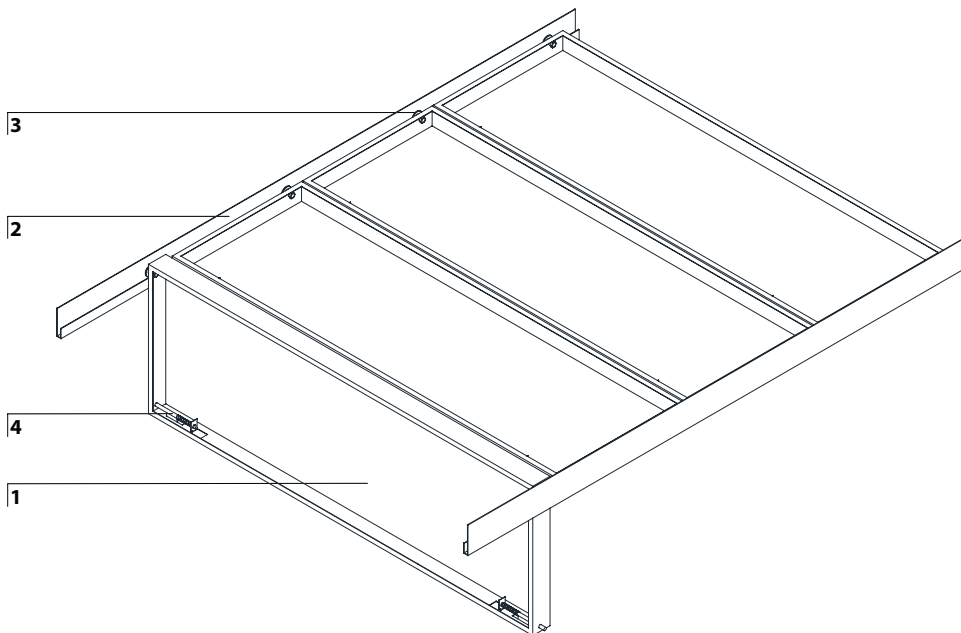
Surface Spread of flame Class 1 tested as per BS 476: Part 7: 1997

“Non-Combustible” Material tested as per BS 476: Part4: 1970

Flame Spread and Smoke Development Index tested as per ASTM E84 (Class 1 or A)

## RAM 441 RAIL-SLIDE

### ISOMETRIC DETAIL



### COMPONENTS

- 1 Panel
- 2 L Profile
- 3 Sliding Wheels
- 4 Locking Latches

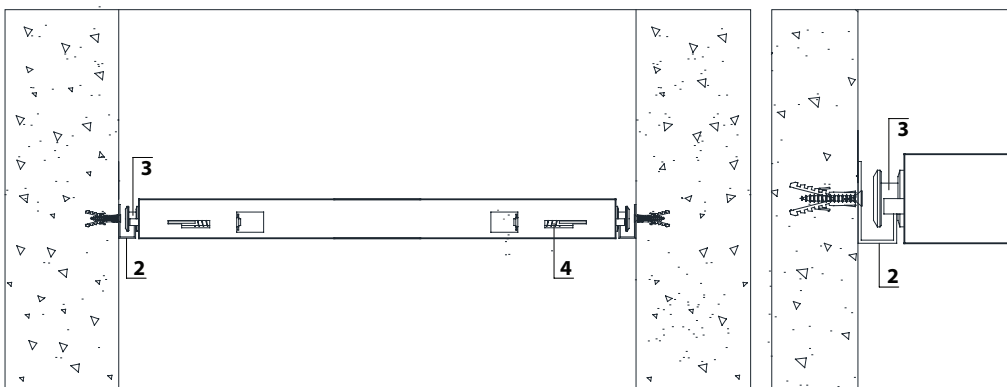


Luminous Panel •

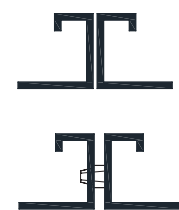
• Optional

Custom sizes can be offered

### SECTION DETAIL

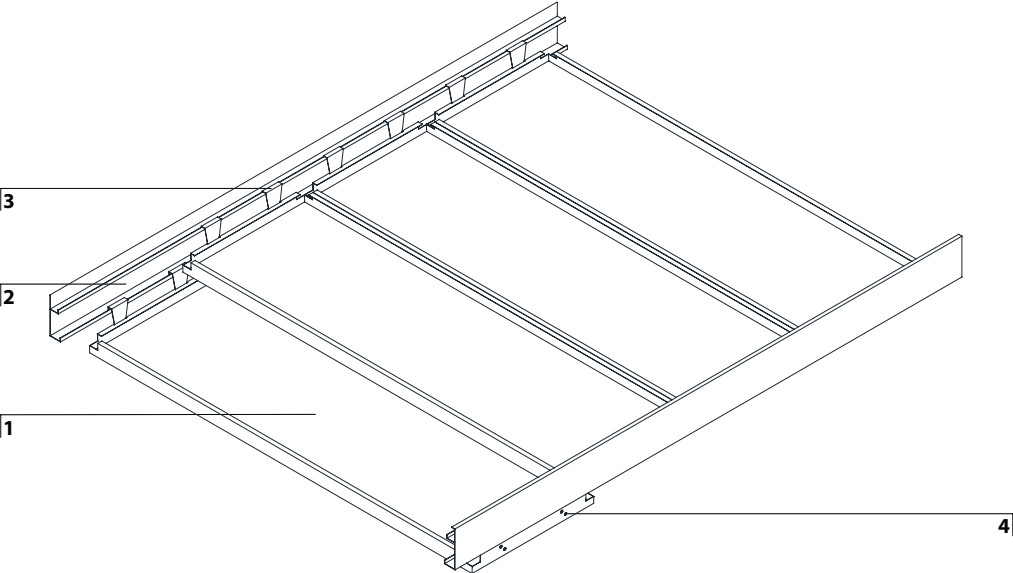


### PANEL JOINTS DETAIL



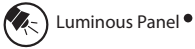
# RAM 442 STEP-SLIDE

ISOMETRIC DETAIL



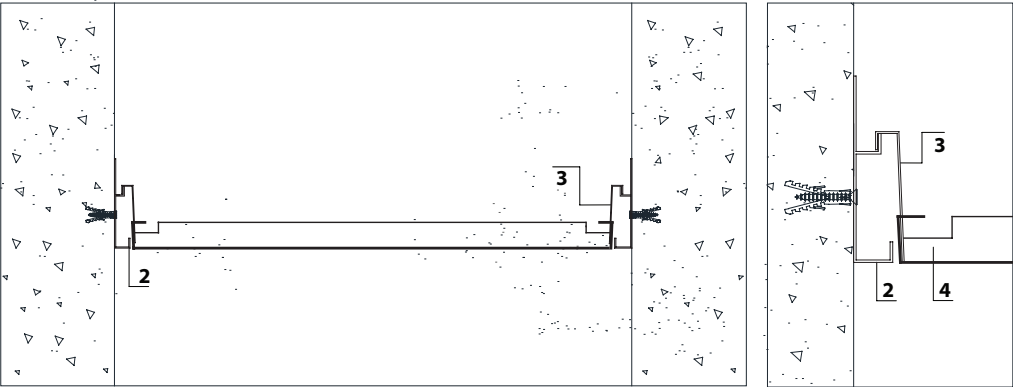
## COMPONENTS

- 1 Panel
- 2 Step Hook Profile
- 3 Hook Profile
- 4 Blind Rivet

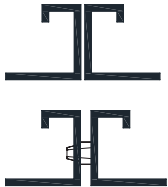


- Optional
- Custom sizes can be offered

SECTION DETAIL

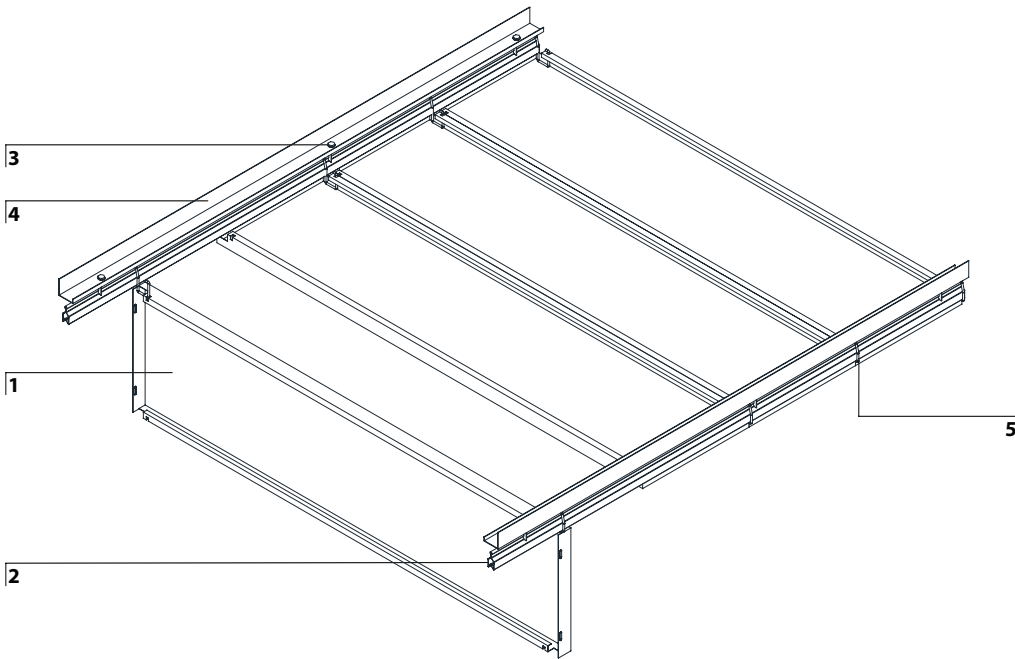


PANEL JOINTS DETAIL



# RAM 443 HOOK-SLIDE

## ISOMETRIC DETAIL



## COMPONENTS

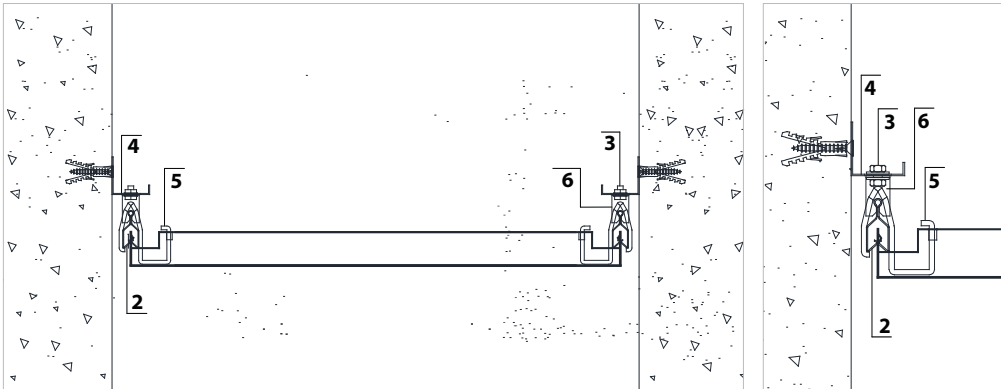
- 1 Panel
- 2 Narrow Main Carrier
- 3 Bolt & Nut
- 4 L Profile
- 5 Hinge Clip
- 6 Carrier Bracket



• Optional

Custom sizes can be offered

## SECTION DETAIL



## PANEL JOINTS DETAIL

