

ARCHITECTURAL ELEMENTS

# 5110 series

METAL COVE  
LIGHT

Ideal for integrating light fixtures. Can be custom manufactured to architect specifications in a variety of shapes & depths for optimal light reflection. Offered in a wide range of designs, sizes, colors & finishes.

## FEATURES

### MATERIAL

Aluminum Alloy as per EN AW 3000 or 5000 series.

Zinc Plated Galvanized Steel G90 grade.

### THICKNESS

Aluminum or Galvanized Steel (mm):  
0.5 to 1.00

+ Custom thickness are available upon request

### SURFACE FINISH

Plain  
Perforated

### SIZE

LENGTH (mm):  $\leq 3000$

WIDTH (mm):  $\leq 300$

+ Custom sizes are available upon request

### COATING

Polyester Coating:  
( $5\mu$  (Back) +  $20\mu$  (Face))

Polyester Powder Coating:  
( $70\mu$  -  $80\mu$ )

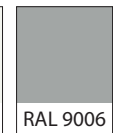
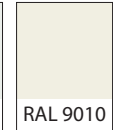
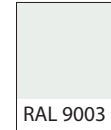
+ High Performance Coatings like PESDF, PVDF and POLYAMIDE are available upon request.

### INSULATION

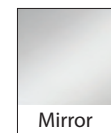
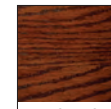
**Acoustic Black Fleece** is non-flammable and meets the standard DIN 4102 / B1. Classification A1 according to EN 13501-1.

**Rockwool** slabs conforming to ASTM C612 and equivalent BS 3958-5 are provided for acoustic insulation.

### COLOR / FINISH



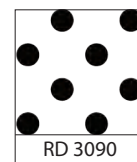
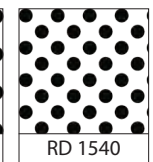
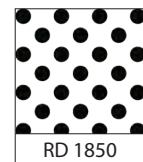
### SPECIAL FINISHES



+ See [www.rammetal.com](http://www.rammetal.com) for additional colors & special finishes available

+ Special finishes can be provided in lamination, sublimation or coil coating process.

### PERFORATION PATTERNS



+ See [www.rammetal.com](http://www.rammetal.com) for all other pattern options

## DATA / PERFORMANCE



### ACOUSTICS

Tested as per BS EN ISO 354: 2003 for sound absorption, noise reduction and sound attenuation.

NRC achieved with Acoustic Black fleece – NRC 0.75

NRC achieved with Acoustic Black Fleece and Rockwool Insulation- NRC 1.00



### ANTI BACTERIAL COATING

Tested as per JIS Z 2801: 2000, which inhibits the growth of bacteria on the applied surface.



### LIGHT REFLECTANCE (LR)

Achieved by the metal ceiling is LR – 0.85-0.96 tested as per ASTM E 1477.



### FIRE PERFORMANCE

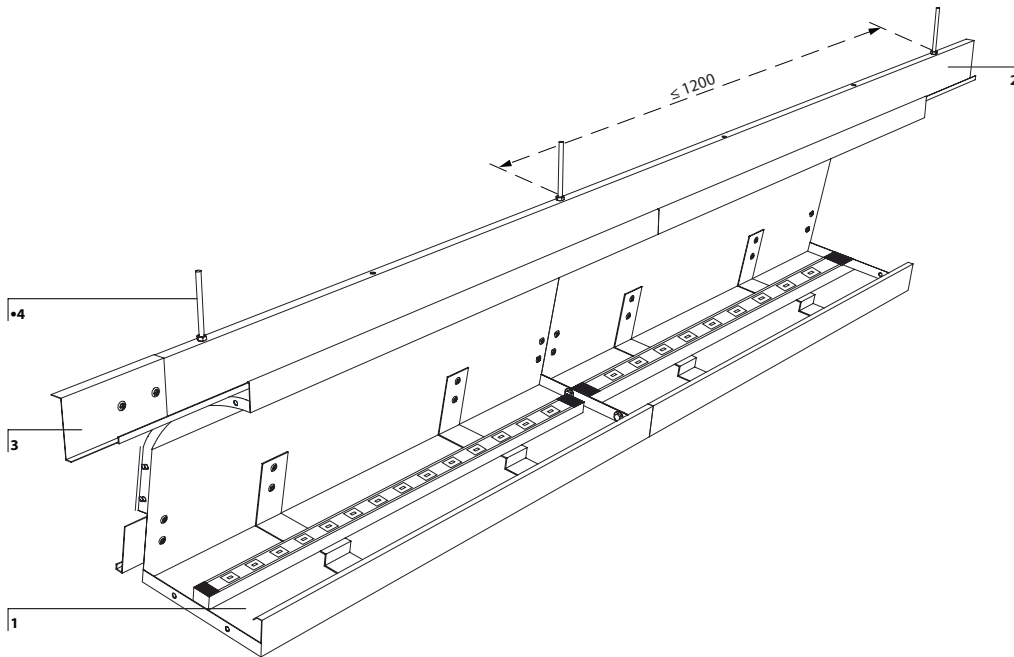
Surface Spread of flame Class 1 tested as per BS 476: Part 7: 1997

“Non-Combustible” Material tested as per BS 476: Part4: 1970

Flame Spread and Smoke Development Index tested as per ASTM E84 (Class 1 or A)

## RAM 5111 METAL COVE LIGHT

### ISOMETRIC DETAIL

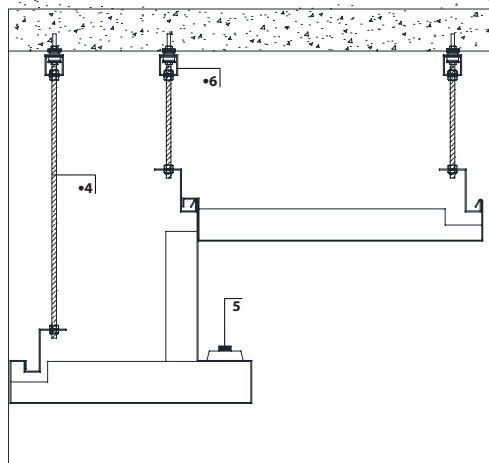
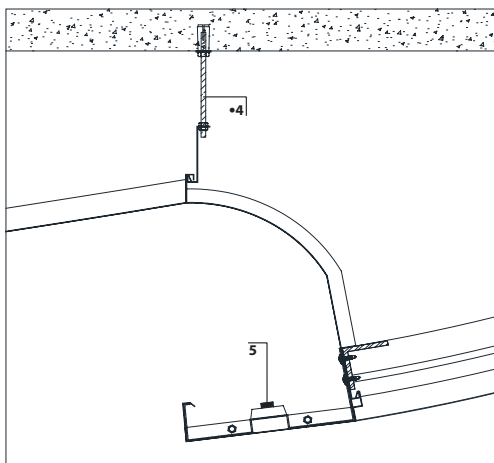


### COMPONENTS

- 1 Panel
- 2 J Carrier Profile
- 3 C Splice •
- 4 Threaded Rod •
- 5 Lighting Fixture (By Other)
- 6 Anti-Vibration Clip (TR) •

Custom sizes can be offered

### SECTION DETAILS



### PANEL JOINT DETAIL

