

ARCHITECTURAL ELEMENTS

5210 series

METAL SKIRTING



Used for walls in a variety of finishes such as aluminum anodized, stainless steel, & powder coated aluminum. Can be manufactured in various heights & shapes. Offered in a wide range of designs, sizes, colors & finishes.

FEATURES

MATERIAL

Aluminum Alloy as per EN AW 3000 or 5000 series.

Zinc Plated Galvanized Steel G90 grade.

Stainless Steel grade SS304 or SS316L

THICKNESS

Aluminum, Galvanized Steel or Stainless Steel (mm): 0.6 to 2.0

+ Custom thickness are available upon request

SURFACE FINISH

Plain

SIZE

LENGTH (mm): ≤ 3000

WIDTH (mm): ≤ 300

+ Custom sizes are available upon request

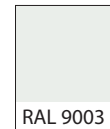
COATING

Polyester Coating:
(5μ (Back) + 20μ (Face))

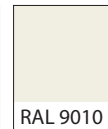
Polyester Powder Coating:
(70μ - 80μ)

+ High Performance Coatings like PESDF, PVDF and POLYAMIDE are available upon request.

COLOR / FINISH



RAL 9003



RAL 9010



RAL 9016



RAL 9006

SPECIAL FINISHES



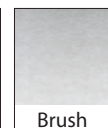
Red Oak



Natural



Mirror



Brush

+ See www.rammetal.com for additional colors & special finishes available

+ Special finishes can be provided in lamination, sublimation or coil coating process.

DATA / PERFORMANCE



ANTI BACTERIAL COATING

Tested as per JIS Z 2801: 2000, which inhibits the growth of bacteria on the applied surface.

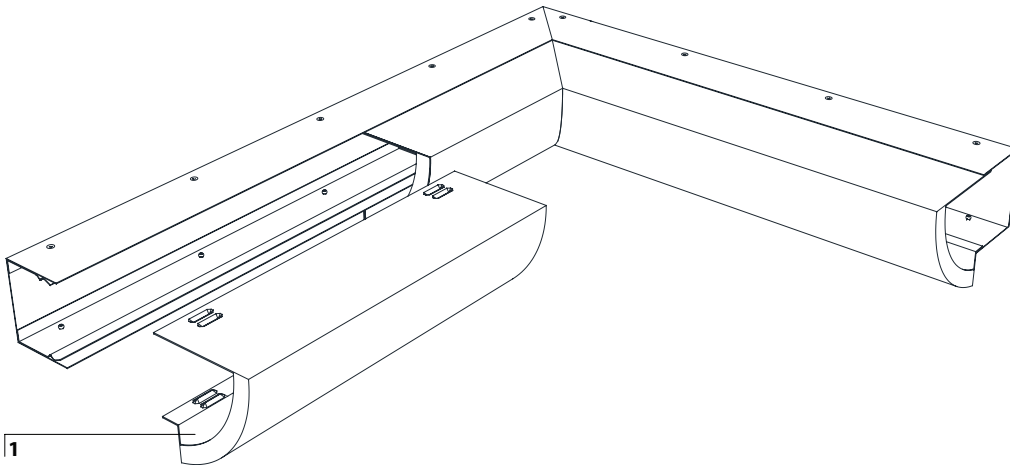


LIGHT REFLECTANCE (LR)

Achieved by the metal ceiling is LR – 0.85-0.96 tested as per ASTM E 1477.

RAM 5211 METAL SKIRTING

ISOMETRIC DETAIL

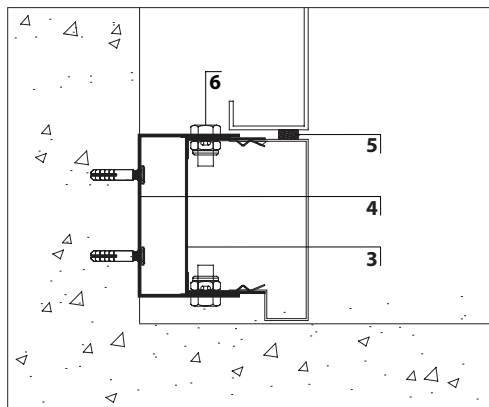
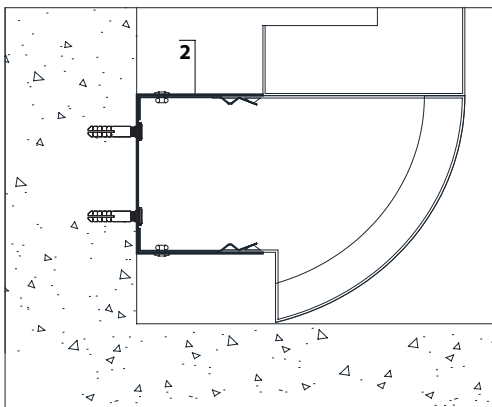


COMPONENTS

- 1 Panel
- 2 Carrier Profile
- 3 Skirting Spring Channel
- 4 Skirting Bracket
- 5 Self-Adhesive Seal •
- 6 Bolts & Nuts

Custom sizes can be offered

SECTION DETAILS



PANEL JOINT DETAILS



Butt Joint



3 & 5mm GAP