

CEILING SYSTEMS
BAFFLE

910 series

BLADE

Slim profile and a modern look. For use in airports, metro stations, car showrooms & libraries. Ideal for open spaces with high ceilings to see through the void. Can be produced in variable modules between blades, with different depths, up to 4000mm long. Available in straight or formed V bent & solid line. Fully demountable. A special service tray can be produced to integrate light fitting & other MEP services in order to provide clear finish. Offered in a wide range of designs, sizes, colors & finishes.

FEATURES

MATERIAL

Aluminum Alloy as per EN AW 3000 or 5000 series.

Zinc Plated Galvanized Steel G90 grade.

THICKNESS

Aluminum: 0.5mm to 1.0mm.

Galvanized Steel: 0.5mm to 0.7mm.

+ Custom thickness are available upon request

SURFACE FINISH

Plain
Perforated

SIZE

HEIGHTS (mm)

RAM 911: 100–200

RAM 912: 300–600

SPACING (mm)

100/150/200/300

LENGTH (mm)

UP TO 3000

+ Custom sizes are available upon request

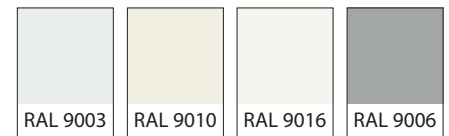
COATING

Polyester Coating: ((5 μ (Back) + 20 μ (Face))

Polyester Powder Coating: (70 μ -80 μ)

+ High Performance Coatings like PESDF, PVDF and POLYAMIDE are available upon request.

COLORS



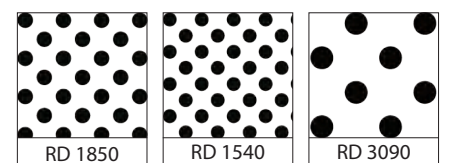
SPECIAL FINISHES



+ See www.rammatal.com for additional colors & special finishes available

+ Special finishes can be provided in lamination, sublimation or coil coating process.

PERFORATION PATTERNS



+ See www.rammatal.com for all available pattern options

DATA / PERFORMANCE



ACOUSTICS

Tested as per BS EN ISO 354: 2003 for sound absorption, noise reduction and sound attenuation.

NRC achieved with Acoustic Black fleece – NRC 0.75

NRC achieved with Acoustic Black Fleece and Rockwool Insulation – NRC 1.00

Tested as per ASTM E1414-11a for Airborne Sound Attenuation as per ISO 10848-2.

CAC can achieved up to – 48 dB

Perforated & Sound Attenuation cover



ANTI BACTERIAL COATING

Tested as per JIS Z 2801: 2000, which inhibits the growth of bacteria on the applied surface.



LIGHT REFLECTANCE (LR)

Achieved by the metal ceiling is LR – 0.85-0.96 tested as per ASTM E 1477.



FIRE PERFORMANCE

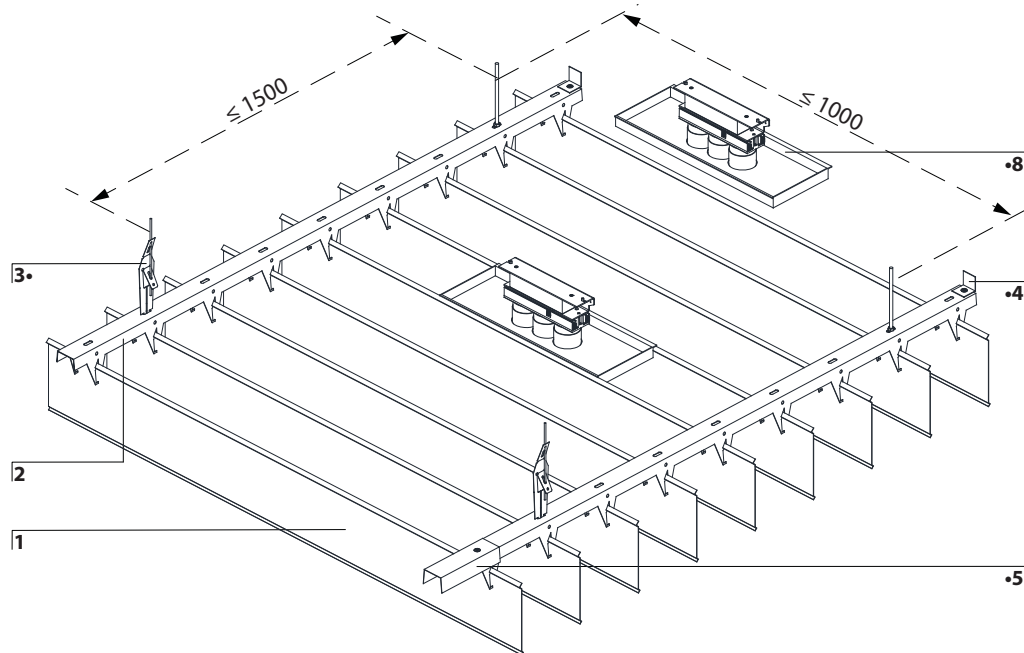
Surface Spread of flame Class 1 tested as per BS 476: Part 7: 1997

“Non-Combustible” Material tested as per BS 476: Part4: 1970

Flame Spread and Smoke Development Index tested as per ASTM E84 (Class 1 or A)

RAM 911 V LINE RAM 912 SOLID LINE

ISOMETRIC DETAIL



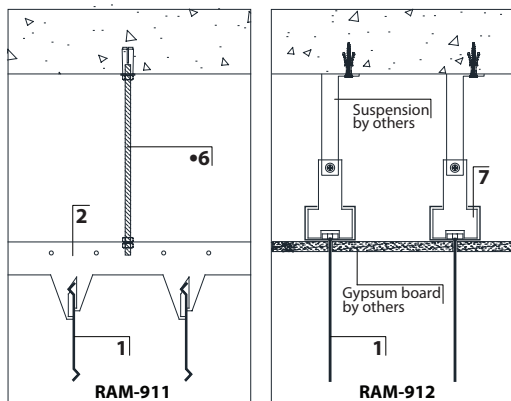
COMPONENTS

- 1 Blade
- 2 RAM 911 Carrier
- 3 Adjustment Clip •
- 4 Wall End Bracket •
- 5 C Splice •
- 6 Threaded Rod •
- 7 Hanging Bracket
- 8 Service Tray •

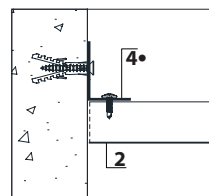
• Optional

Custom sizes can be offered

OPTIONAL HANGING SOLUTIONS



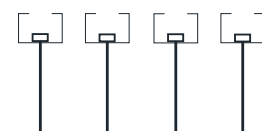
PERIMETER DETAILS



STRIP DETAIL



RAM-911



RAM-912