

CEILING SYSTEMS

BAFFLE

920 series

BAFFLE

A deep profile U shape with a modern Look. For airports, metro stations, car showrooms & libraries. Ideal for open spaces & high ceiling level to view through the void. Can be produced in variable modules between baffles, in a variety of depths up to 300mm. Deep baffle 200-300mm, is available with the proper acoustic insulation and is fully demountable. Integrated light fittings & other MEP services are available in order to provide clear finish. Offered in a wide range of designs, sizes, colors & finishes.

FEATURES

MATERIAL

Aluminum Alloy as per EN AW 3000 or 5000 series.

Zinc Plated Galvanized Steel G90 grade.

THICKNESS

Aluminum:

RAM 921 : 0.5mm to 1.0mm

RAM 922 : 0.7mm to 2.0mm

Galvanized steel:

RAM 921 : 0.5mm to 0.7mm

RAM 922 : 0.6mm to 1.0mm

+ Custom thickness are available upon request

SURFACE FINISH

Plain

Perforated

SIZE

HEIGHTS (mm)

RAM 921: Up to 100

RAM 922: Up to 300

WIDTH (mm)

RAM 921: 10/20/30

RAM 922: 25/40/100/200

LENGTH (mm)

UP TO 3000

+ Custom sizes are available upon request

COATING

Polyester Coating: ((5 μ (Back) + 20 μ (Face))

Polyester Powder Coating: (70 μ -80 μ)

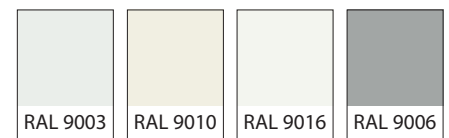
+ High Performance Coatings like PESDF, PVDF and POLYAMIDE are available upon request.

INSULATION

Acoustic Black Fleece is non-flammable and meets the standard DIN 4102 / B1. Classification A1 according to EN 13501-1.

Rockwool slabs conforming to ASTM C612 and equivalent BS 3958-5 are provided for acoustic insulation.

COLORS



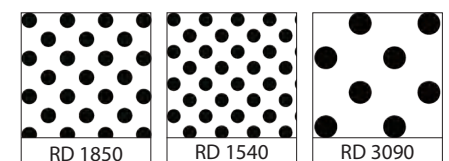
SPECIAL FINISHES



+ See www.rammatal.com for additional colors & special finishes available

+ Special finishes can be provided in lamination, sublimation or coil coating process.

PERFORATION PATTERNS



+ See www.rammatal.com for all available pattern options

DATA / PERFORMANCE



ACOUSTICS

Tested as per BS EN ISO 354: 2003 for sound absorption, noise reduction and sound attenuation.

NRC achieved with Acoustic Black fleece – NRC 0.75

NRC achieved with Acoustic Black Fleece and Rockwool Insulation – NRC 1.00

Tested as per ASTM E1414-11a for Airborne Sound Attenuation as per ISO 10848-2.

CAC can achieved up to – 48 dB

Perforated & Sound Attenuation cover



ANTI BACTERIAL COATING

Tested as per JIS Z 2801: 2000, which inhibits the growth of bacteria on the applied surface.



LIGHT REFLECTANCE (LR)

Achieved by the metal ceiling is LR – 0.85-0.96 tested as per ASTM E 1477.



FIRE PERFORMANCE

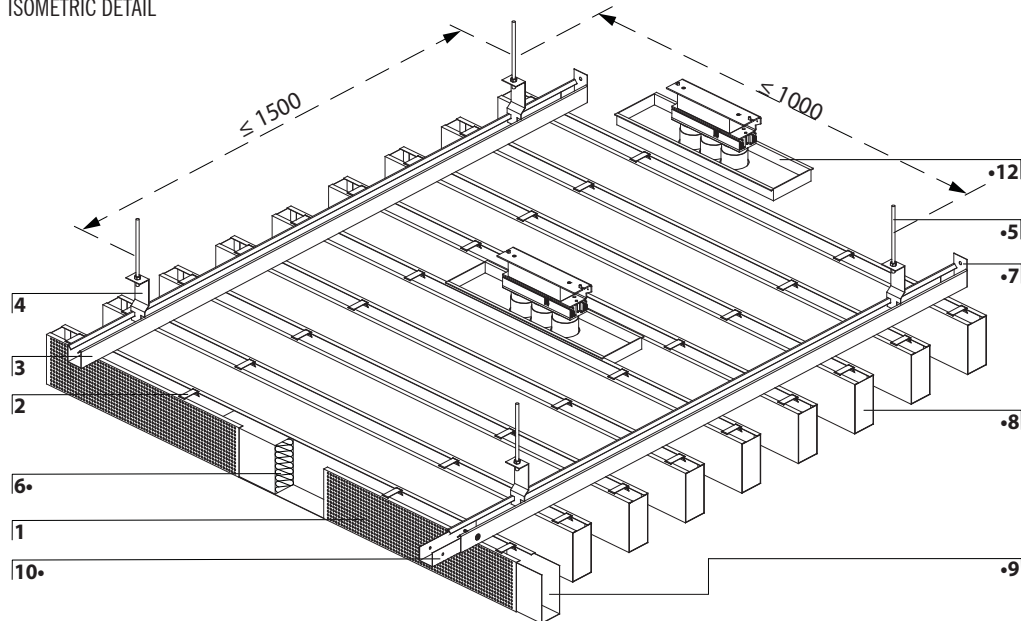
Surface Spread of flame Class 1 tested as per BS 476: Part 7: 1997

“Non-Combustible” Material tested as per BS 476: Part4: 1970

Flame Spread and Smoke Development Index tested as per ASTM E84 (Class 1 or A)

RAM 921 FINS RAM 922 BAFFLE

ISOMETRIC DETAIL



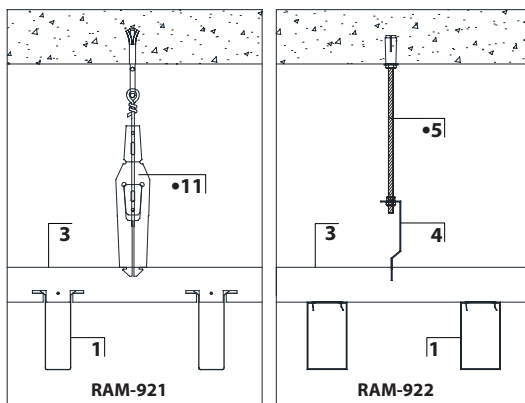
COMPONENTS

- 1 Baffle
- 2 Security Clip
- 3 Carrier
- 4 Hanging Bracket
- 5 Threaded Rod •
- 6 Rockwool •
- 7 Wall End Bracket •
- 8 End Cap •
- 9 RF Splice •
- 10 C Splice •
- 11 Adjustment Clip •
- 12 Service Tray •

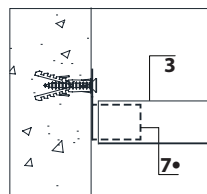
• Optional

Custom sizes can be offered

OPTIONAL HANGING SOLUTIONS



PERIMETER DETAILS



STRIP DETAILS

