

CEILING SYSTEMS

BAFFLE

930 series

TUBULAR

Non-conventional profile shape with a modern look. A unique round profile that can be manufactured in perforated finishes. For airports, metro stations, car showrooms & libraries. Can be produced in variable modules between baffles. Installed, can produce a curved or wave shape. It is fully demountable. A special service box can be produce to integrate light fitting & other MEP services in order to provide a clear finish. Offered in a wide range of designs, sizes, colors & finishes.

FEATURES

MATERIAL

Aluminum Alloy as per EN AW 3000 or 5000 series.

THICKNESS

Aluminum (mm)

RAM 931: 0.5 to 0.7

RAM 932: 1.0

+ Custom thickness are available upon request

SURFACE FINISH

Plain

Perforated

SIZE

HEIGHTS (mm)

RAM 931: 60

RAM 932: 45/55/70/80

WIDTH (mm)

RAM 931: 80

RAM 932: 25/50

SPACING (mm)

RAM 931: 20

RAM 932: 75/100/150/200

LENGTH (mm)

UP TO 3000

+ Custom sizes are available upon request

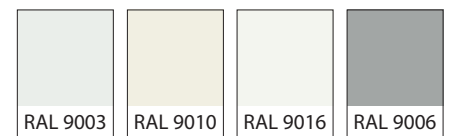
COATING

Polyester Coating: ((5 μ (Back) + 20 μ (Face))

Polyester Powder Coating: (70 μ -80 μ)

+ High Performance Coatings like PESDF, PVDF and POLYAMIDE are available upon request.

COLORS



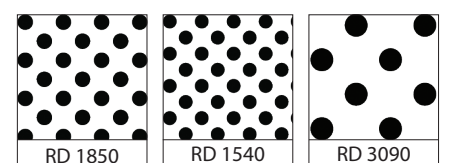
SPECIAL FINISHES



+ See www.rammatal.com for additional colors & special finishes available

+ Special finishes can be provided in lamination, sublimation or coil coating process.

PERFORATION PATTERNS



+ See www.rammatal.com for all available pattern options

DATA / PERFORMANCE



ACOUSTICS

Tested as per BS EN ISO 354: 2003 for sound absorption, noise reduction and sound attenuation.

NRC achieved with Acoustic Black fleece – NRC 0.75

NRC achieved with Acoustic Black Fleece and Rockwool Insulation – NRC 1.00

Tested as per ASTM E1414-11a for Airborne Sound Attenuation as per ISO 10848-2.

CAC can achieved up to – 48 dB

Perforated & Sound Attenuation cover



ANTI BACTERIAL COATING

Tested as per JIS Z 2801: 2000, which inhibits the growth of bacteria on the applied surface.



LIGHT REFLECTANCE (LR)

Achieved by the metal ceiling is LR – 0.85-0.96 tested as per ASTM E 1477.



FIRE PERFORMANCE

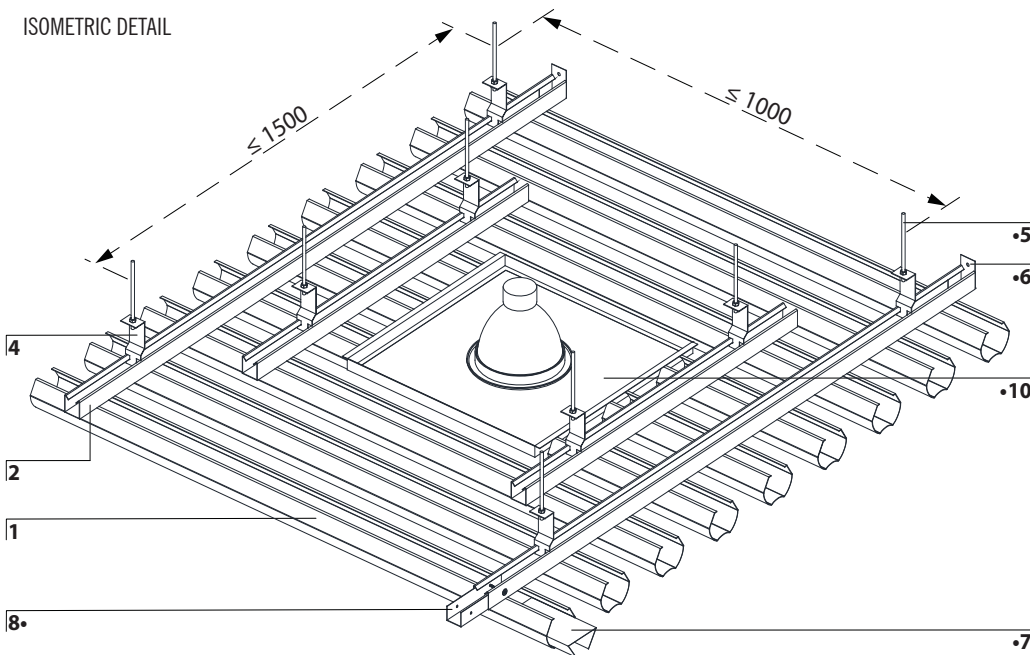
Surface Spread of flame Class 1 tested as per BS 476: Part 7: 1997

“Non-Combustible” Material tested as per BS 476: Part4: 1970

Flame Spread and Smoke Development Index tested as per ASTM E84 (Class 1 or A)

RAM 931 C LINE RAM 932 O LINE

ISOMETRIC DETAIL



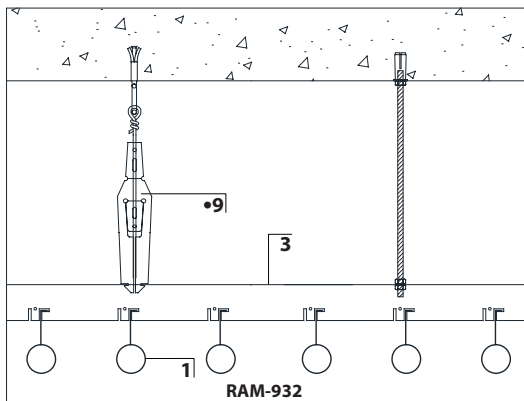
COMPONENTS

- 1 Tube
- 2 RAM 931 Carrier
- 3 RAM 932 Carrier
- 4 Hanging Bracket
- 5 Threaded Rod •
- 6 Wall End Bracket
- 7 T Splice •
- 8 C Splice •
- 9 Adjustment Clip •
- 10 Service Box •

• Optional

Custom sizes can be offered

OPTIONAL HANGING SOLUTIONS



PANEL DESIGN PATTERN



STRIP DETAILS



RAM-931



RAM-932

PERIMETER DETAILS

