

CEILING SYSTEMS  
BAFFLE

# 940 series DIASPACE

A non-conventional profile shape with a modern look. Ideal for open spaces & high ceiling level to view through the void. For airports, metro stations, car showrooms & libraries. Can be produced with variable modules in between. Fully demountable. Special service tray can be produce to integrate light fitting & other MEP services in order to provide clear finish. Offered in a wide range of designs, sizes, colors & finishes.

## FEATURES

### MATERIAL

Aluminum Alloy as per EN AW 3000 or 5000 series.

### THICKNESS

Aluminum (mm)  
0.5 to 0.6

+ Custom thickness are available upon request

### SURFACE FINISH

Plain  
Perforated

### SIZE

HEIGHT (mm)  
150 - 400

WIDTH (mm)  
50 - 100

LENGTH  
Up to 3000mm

SPACING (mm)  
50/100/150

+ Custom sizes are available upon request

### COATING

Polyester Coating: ((5 $\mu$  (Back) + 20 $\mu$  (Face))

Polyester Powder Coating: (70 $\mu$  -80 $\mu$ )

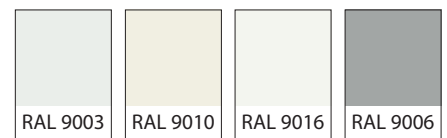
+ High Performance Coatings like PESDF, PVDF and POLYAMIDE are available upon request.

### INSULATION

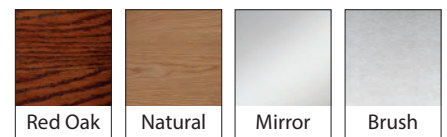
**Acoustic Black Fleece** is non-flammable and meets the standard DIN 4102 / B1. Classification A1 according to EN 13501-1.

**Rockwool slabs** conforming to ASTM C612 and equivalent BS 3958-5 are provided for acoustic insulation.

### COLORS

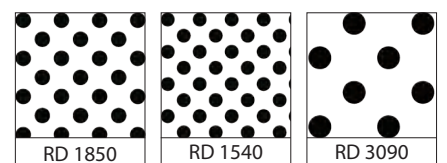


### SPECIAL FINISHES



- + See [www.rammatal.com](http://www.rammatal.com) for additional colors & special finishes available
- + Special finishes can be provided in lamination, sublimation or coil coating process.

### PERFORATION PATTERNS



- + See [www.rammatal.com](http://www.rammatal.com) for all available pattern options

## DATA / PERFORMANCE



### ACOUSTICS

Tested as per BS EN ISO 354: 2003 for sound absorption, noise reduction and sound attenuation.

NRC achieved with Acoustic Black fleece – NRC 0.75

NRC achieved with Acoustic Black Fleece and Rockwool Insulation – NRC 1.00

Tested as per ASTM E1414-11a for Airborne Sound Attenuation as per ISO 10848-2.

CAC can achieved up to – 48 dB

Perforated & Sound Attenuation cover



### ANTI BACTERIAL COATING

Tested as per JIS Z 2801: 2000, which inhibits the growth of bacteria on the applied surface.



### LIGHT REFLECTANCE (LR)

Achieved by the metal ceiling is LR – 0.85-0.96 tested as per ASTM E 1477.



### FIRE PERFORMANCE

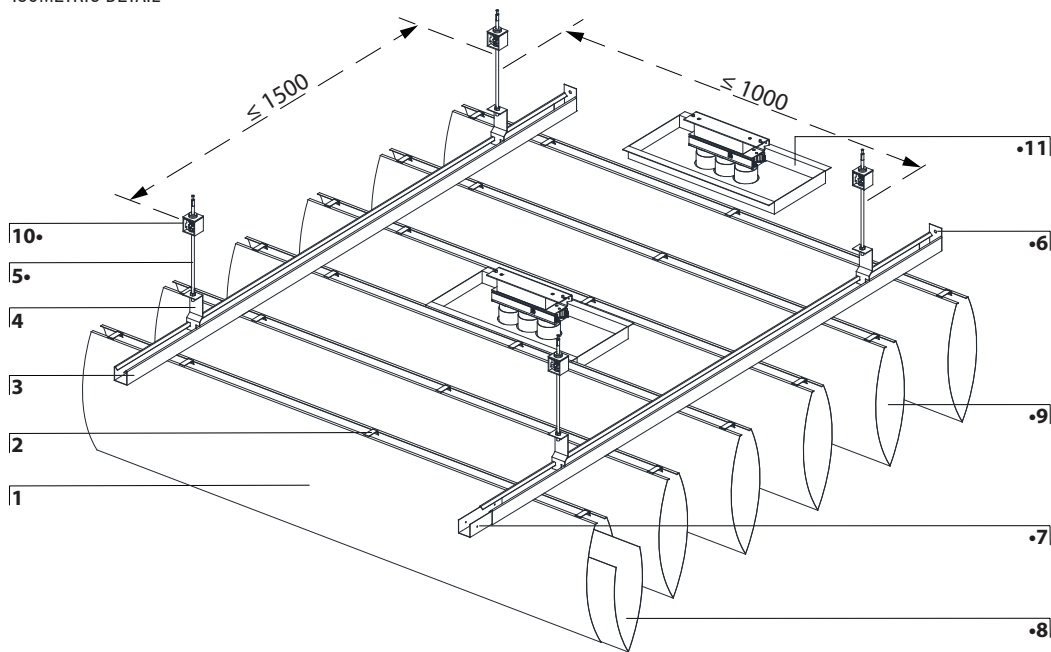
Surface Spread of flame Class 1 tested as per BS 476: Part 7: 1997

“Non-Combustible” Material tested as per BS 476: Part4: 1970

Flame Spread and Smoke Development Index tested as per ASTM E84 (Class 1 or A)

## RAM 941 DIASPACE

### ISOMETRIC DETAIL



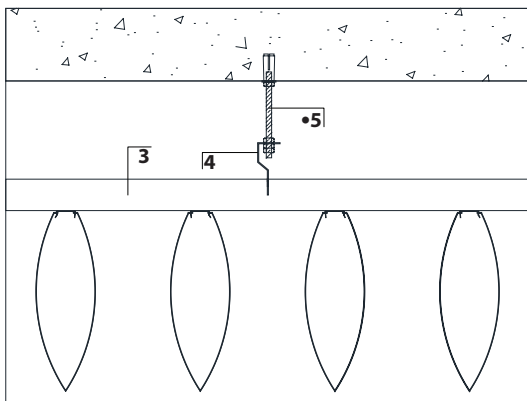
### COMPONENTS

- 1 Baffle
- 2 Security Clip
- 3 Carrier
- 4 Hanging Bracket
- 5 Threaded Rod •
- 6 Wall End Bracket •
- 7 C Splice •
- 8 D Splice •
- 9 End Cap •
- 10 Anti-Vibration Clip (TR) •
- 11 Service Tray •

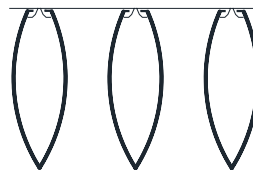
• Optional

Custom sizes can be offered

### SECTION DETAIL



### STRIP DETAIL



### PERIMETER DETAIL

